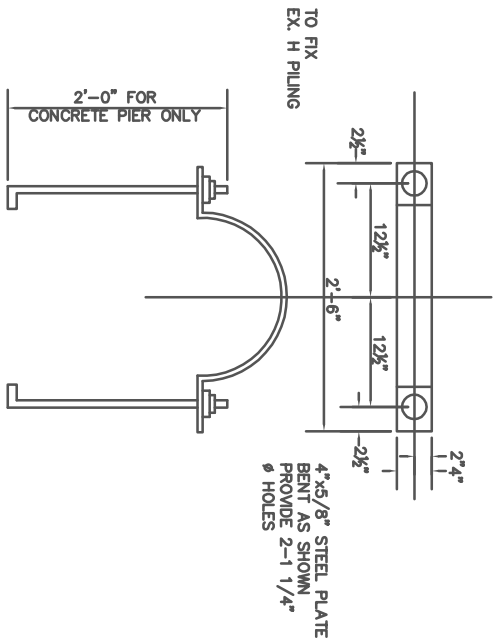
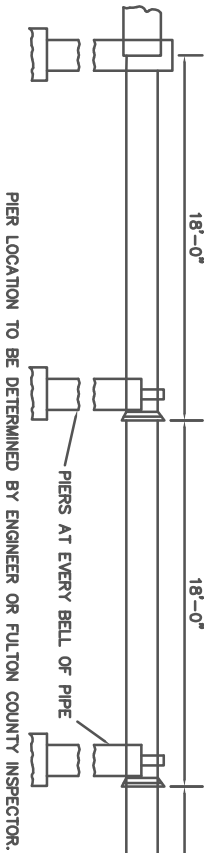


DETAIL OF CLAMP  
N.T.S.

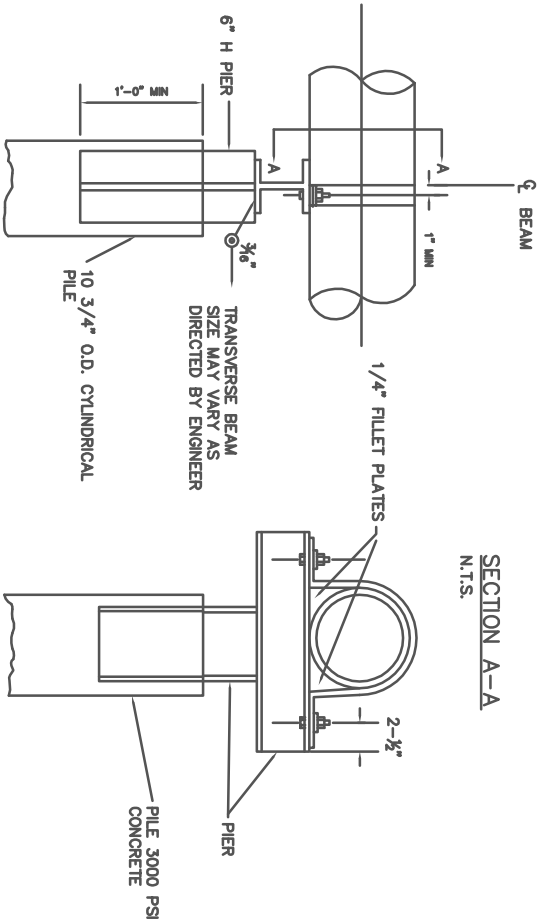


2-1" Ø STAINLESS STEEL ANCHOR BOLTS  
WITH A.S.A. HEX  
NUT AND WASHERS

NOTE:  
ENGINEER TO SUBMIT DESIGN.



DETAIL OF OPTIONAL STEEL PIER  
N.T.S.



NOTE:  
PILE TO BE DRIVEN TO REFUSAL OR 10 TON  
BEARING MIN., THEN FILLED WITH 3000 P.S.I. CONCRETE.  
TRANSVERSE BEAM TO BE WELDED TO PIER BEFORE SETTING CONCRETE.

FULTON COUNTY STANDARD DETAIL 706  
DETAIL OF OPTIONAL STEEL PIER

DATE	REVISIONS	DATE	REVISIONS
8/08	NRR		

DGS/DRN/CHKD./JM  
APPROVED: \_\_\_\_\_  
DATE: 12-2-05



FULTON COUNTY PUBLIC WORKS  
141 PRYOR ST. ATLANTA, GA. 30303  
404-612-7400 FAX: 404-224-0498

DRAWING NO.  
706